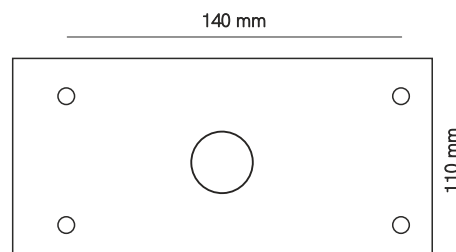
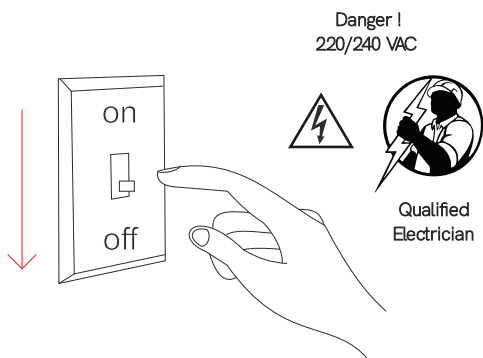


5157, 5158

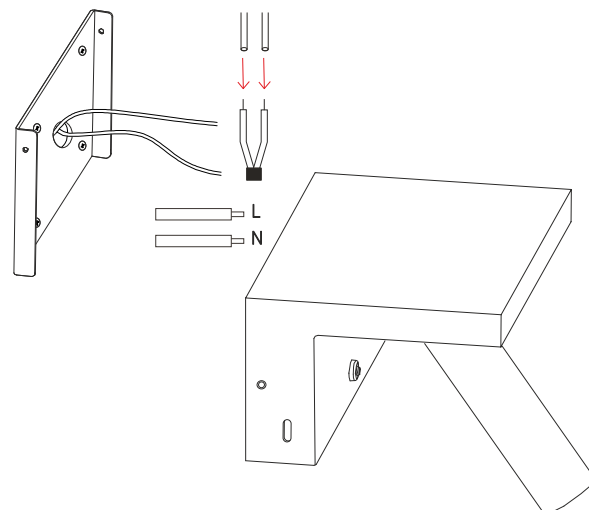
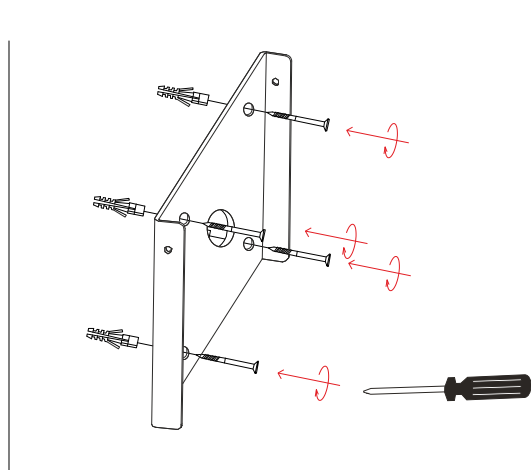
5W

Instrucciones de montaje/ Assembly instructions/ Instructions de montage/ Montageanleitung/ Istruzioni di montaggio



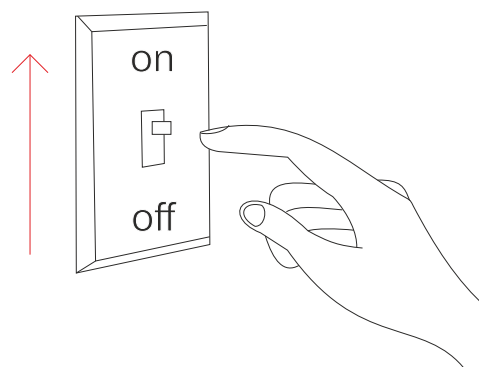
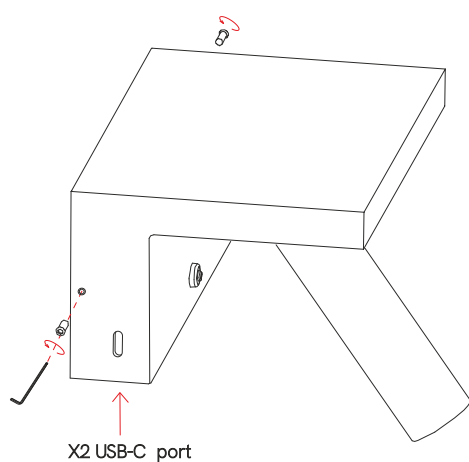
1.0

2.0



3.0

4.0



5.0

6.0



RoHS



EMC



3 INTENSITIES



40°

>0,9 PF



≥90 CRI

USB-C 5V 2A

5 YEARS WARRANTY

220/240 VAC

50/60 Hz



+40°C

-20°C



20 IP

30.000 HOURS